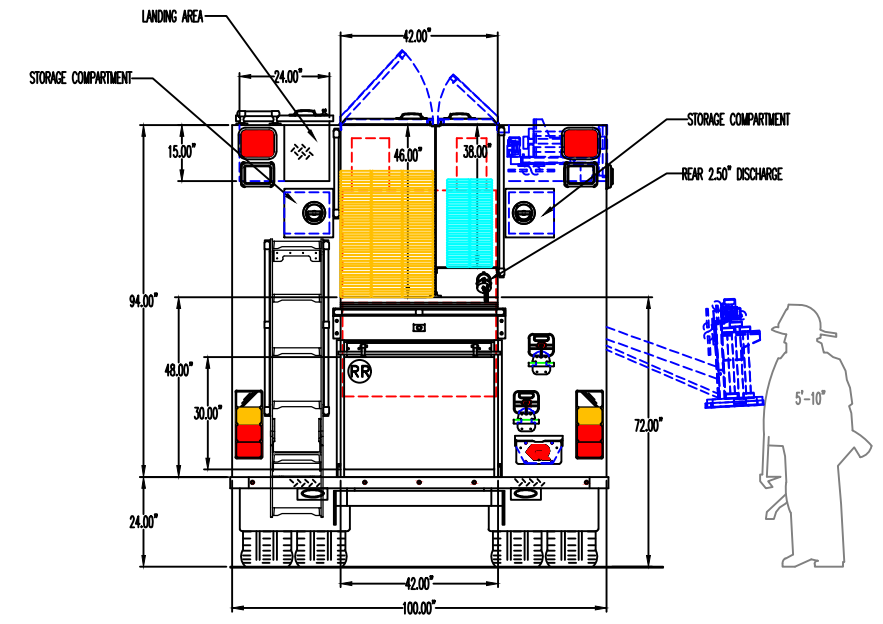
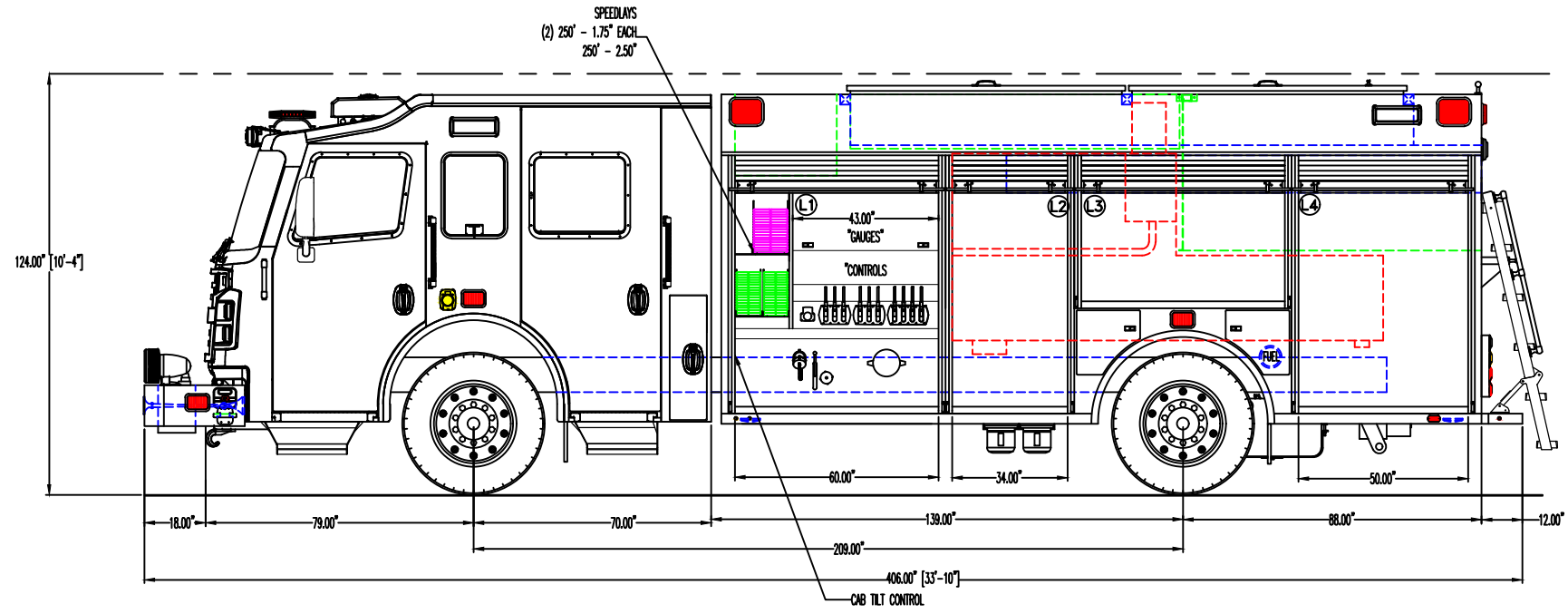


COMPARTMENT DIMENSIONS				
LOCATION	WIDTH	HEIGHT	DEPTH	VOLUME IN CUBIC FEET
L1	60	63	12	26.3
L2	34	63	26	32.2
L3	60	32	26	28.9
L4	50	63	26	47.4
R1	60	63	12	26.3
R2	34	63	26	32.2
R3	40	32	26	19.3
R4	50	63	26	47.4
RR	42	30	24	17.5

MAIN HOSEBED CAPACITY: LEFT TO RIGHT
 - 1000' X 5"
 - 500' X 3"



NOTES:
 1. OVERALL HEIGHT IS IN LOADED CONDITION. UNLOADED HEIGHTS MAY BE 4" ABOVE HEIGHTS SHOWN.
 2. DO NOT SCALE DRAWING.
 3. ALL DIMENSIONS ARE APPROXIMATE AND SUBJECT TO ENGINEERING CHANGES.
 4. DRAWING MAY OR MAY NOT SHOW ALL ITEMS AS DESCRIBED IN THE WRITTEN DETAIL SPECIFICATIONS.
 5. INCLUSION OF AN ITEM ON THE DRAWING DOES NOT CONSTITUTE INCLUSION OF THAT ITEM WITH THE FINAL DELIVERED UNIT.

REVISED: -- DATE: --
 REVISED: -- DATE: --
 REVISED: CRL DATE: 05-12-2017 (R-02)
 DRAWN: CRL DATE: 01-26-2017 (CFR-11-07-3-LR)

PROPRIETARY AND CONFIDENTIAL
 THE INFORMATION CONTAINED IN THIS DRAWING IS
 THE SOLE PROPERTY OF ROSENBAUER. ANY
 REPRODUCTION IN PART OR AS A WHOLE WITHOUT
 THE WRITTEN PERMISSION OF ROSENBAUER IS
 PROHIBITED.

APPROVED BY:		CHASSIS: ROSENBAUER R7011
		PUMP: HALE 8FGR 1500 PTO
MAXIMUM HEIGHT	N/A	TANK: POLY 750/30(FOAM)
MAXIMUM LENGTH	N/A	TYPE: PUMPER
BODY WIDTH	100"	AERIAL: N/A

EVP DEMO

ROSENBAUER EXT

JOB NUMBER: 14403 DRAWING NUMBER: P6471 REV: 02