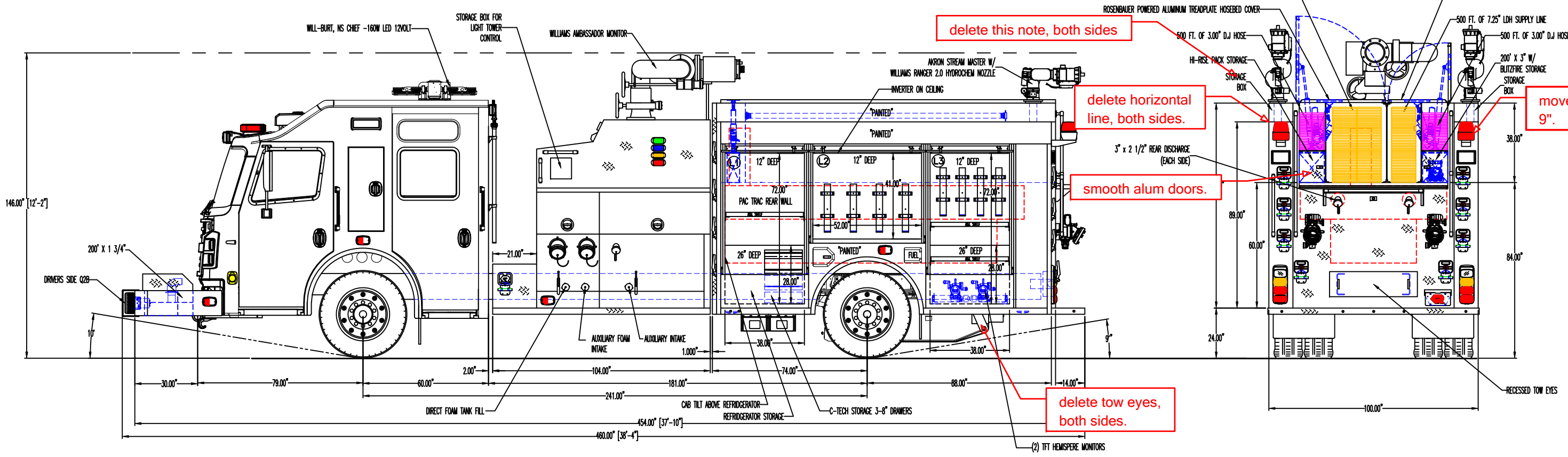
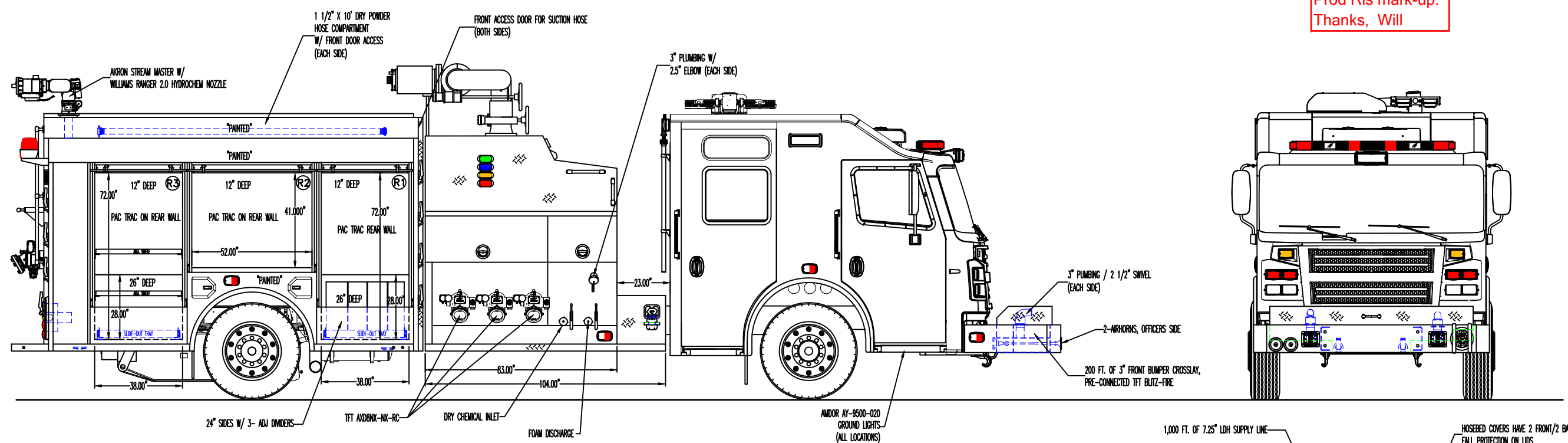


#14576, 8.Feb.19:  
Prod RIs mark-up.  
Thanks, Will



- NOTES:
1. OVERALL HEIGHT IS IN LOADED CONDITION. UNLOADED HEIGHTS MAY BE 4" ABOVE HEIGHTS SHOWN.
  2. DO NOT SCALE DRAWING.
  3. ALL DIMENSIONS ARE APPROXIMATE AND SUBJECT TO ENGINEERING CHANGES.
  4. DRAWING MAY OR MAY NOT SHOW ALL ITEMS AS DESCRIBED IN THE WRITTEN DETAIL SPECIFICATIONS.
  5. INCLUSION OF AN ITEM ON THE DRAWING DOES NOT CONSTITUTE INCLUSION OF THAT ITEM WITH THE FINAL DELIVERED UNIT.

REVISION: TAA DATE: 08-18-2018 (R-14)  
 REVISION: TAA DATE: 08-18-2018 (R-15)  
 REVISION: TAA DATE: 08-14-2018 (R-18)  
 DRAWN: BTM DATE: 08-08-2016 (P48-48-07)

PROPRIETARY AND CONFIDENTIAL  
 THE INFORMATION CONTAINED IN THIS DRAWING IS THE SOLE PROPERTY OF ROSENBAUER. ANY REPRODUCTION IN PART OR AS A WHOLE WITHOUT THE WRITTEN PERMISSION OF ROSENBAUER IS PROHIBITED.

APPROVED BY:		CHASSIS: ROSENBAUER R6018
		PUMP: DARLEY ZS 3000 GPM
MAXIMUM HEIGHT	NONE	TANK: POLY 1000 (FOAM)
MAXIMUM LENGTH	38'	TYPE: PUMPER
BODY WIDTH	100"	AERIAL: N/A

CATLETTSBURG REFINING

ROSENBAUER EXT

14576	P6010	14
-------	-------	----