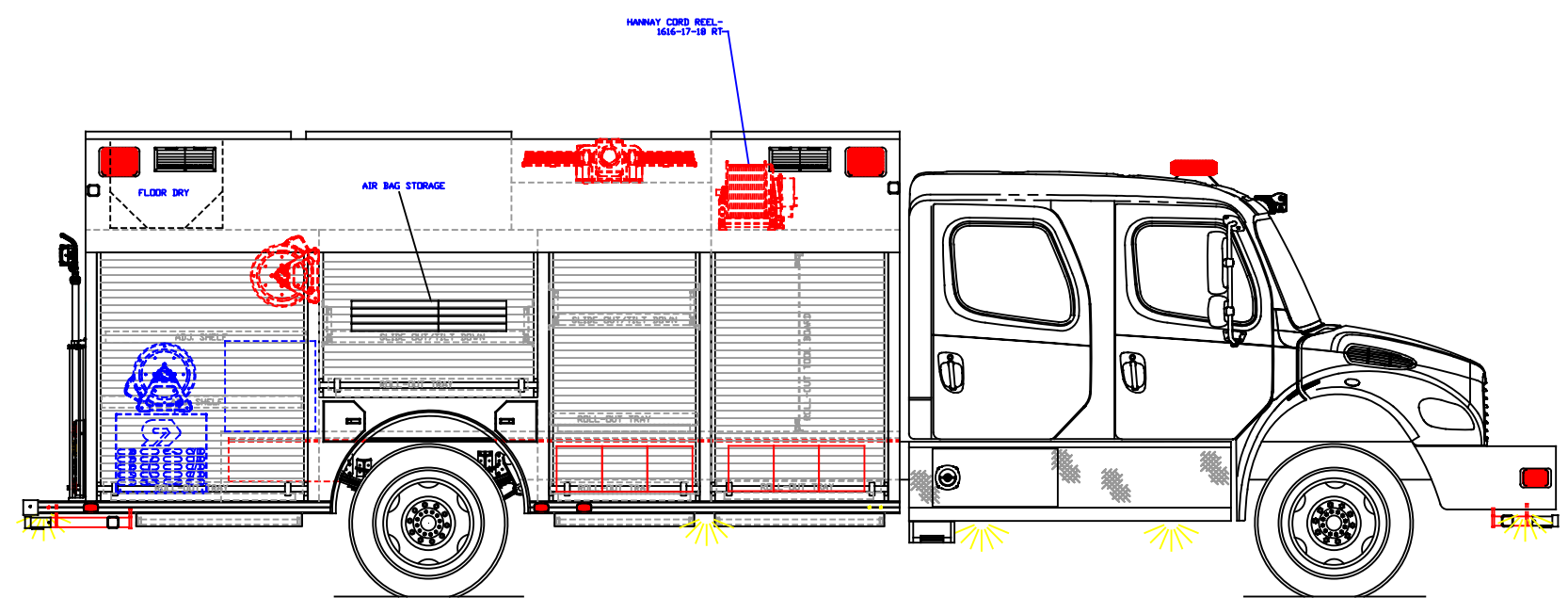
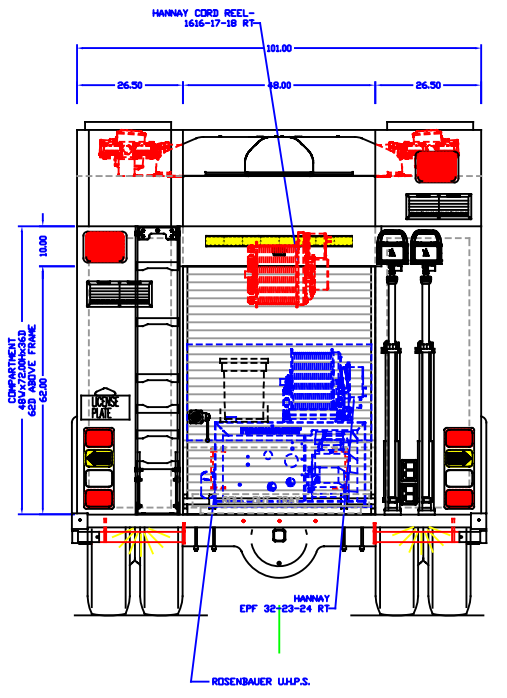
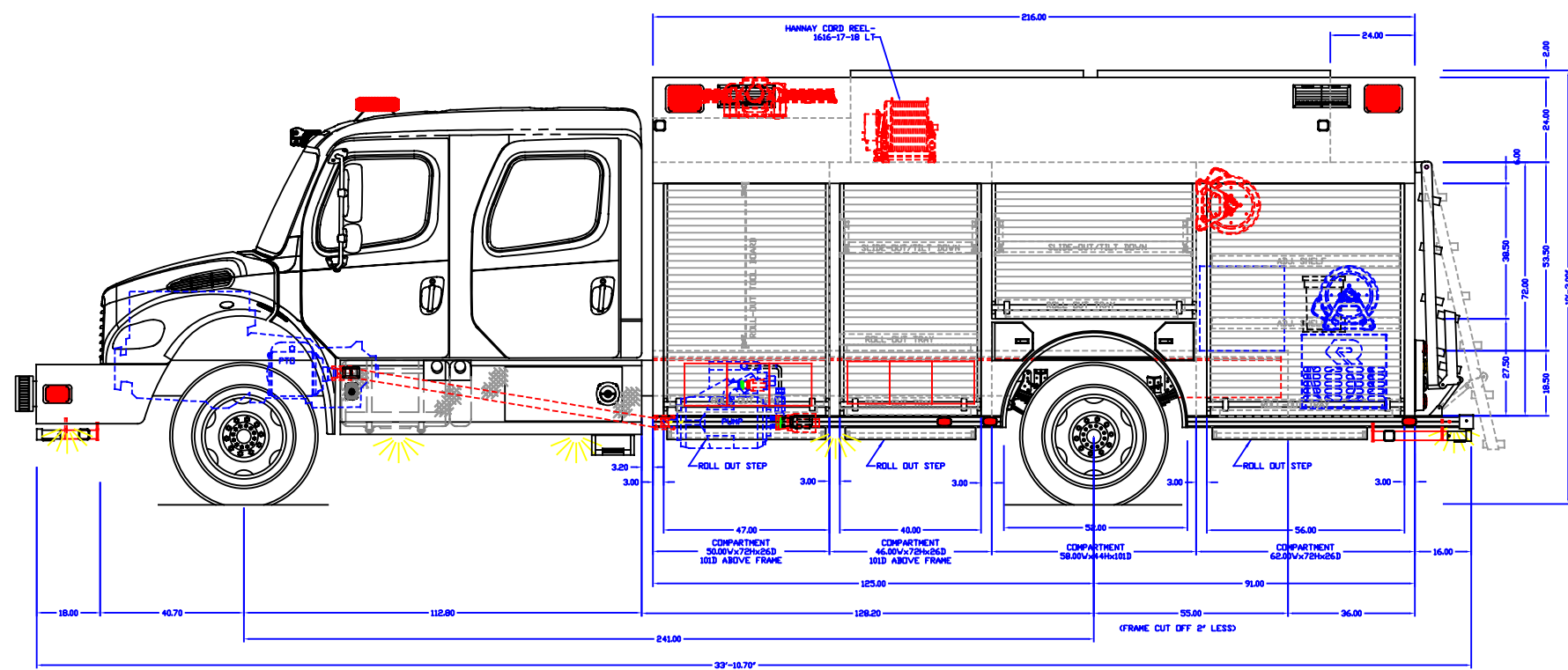
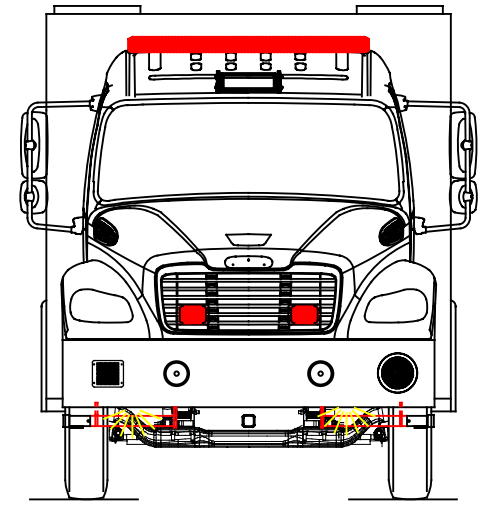
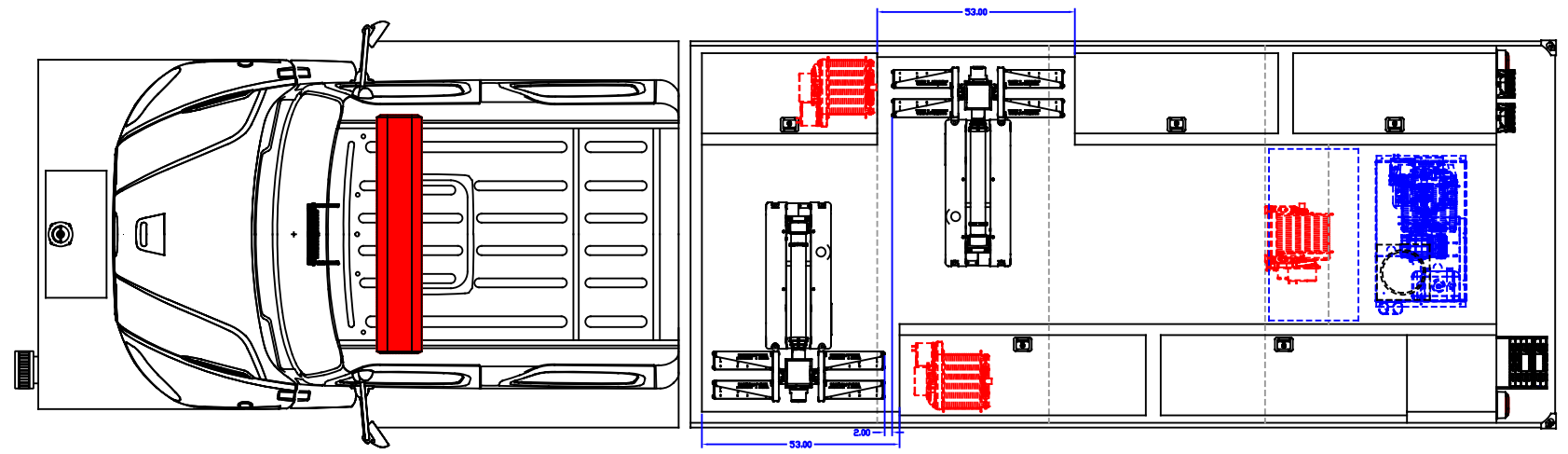


- NOTES:
1. OVERALL HEIGHT IS IN LOADED CONDITION. UNLOADED HEIGHTS MAY BE 4" ABOVE HEIGHTS SHOWN.
  2. DO NOT SCALE DRAWING.
  3. ALL DIMENSIONS ARE APPROXIMATE AND SUBJECT TO ENGINEERING CHANGES.
  4. DRAWING MAY OR MAY NOT SHOW ALL ITEMS AS DESCRIBED IN THE WRITTEN DETAIL SPECIFICATIONS.
  5. INCLUSION OF AN ITEM ON THE DRAWING DOES NOT CONSTITUTE INCLUSION OF THAT ITEM WITH THE FINAL DELIVERED UNIT.
  6. THE EFFECTIVE DOOR OPENINGS WILL BE APPROX. 2" LESS THAN THE NOTED COMPARTMENT OPENING FOR ROLL UP DOORS AND UP TO APPROX. 4" LESS FOR HINGED DOORS



INITIALS: HF  
 JOB NUMBER: 42437  
 DATE: 8/22/2018

MAIN FILE: -  
 DEPT: -  
 DEALER: -


**PRODUCTION APPROVED**

|                       |      |
|-----------------------|------|
| APPROVED BY:          |      |
| CHASSIS: FREIGHTLINER |      |
| PUMP: NA              |      |
| TANK: 100 GAL         |      |
| PANEL MATL: NA        |      |
| COMP INTERIOR: LINE X |      |
| MAXIMUM HEIGHT        | NONE |
| MAXIMUM LENGTH        | NONE |
| BODY WIDTH            | 101" |

REVISED: \_\_\_\_\_ DATE: \_\_\_\_\_  
 DRAWN: VLM DATE: 06-11-18

PROPRIETARY AND CONFIDENTIAL  
 THE INFORMATION CONTAINED IN THIS DRAWING IS THE SOLE PROPERTY OF ROSENBAUER. ANY REPRODUCTION IN PART OR AS A WHOLE WITHOUT THE WRITTEN PERMISSION OF ROSENBAUER IS PROHIBITED.

# VALLEY TWP FIRE & RESCUE, OH



ROSENBAUER RESCUE 3/16"

|                |                |     |   |
|----------------|----------------|-----|---|
| DRAWING NUMBER | valley twp, oh | REV | - |
|----------------|----------------|-----|---|